

Ref.004738

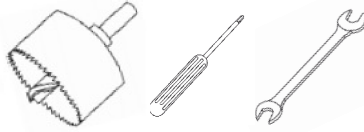
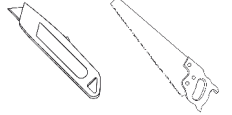
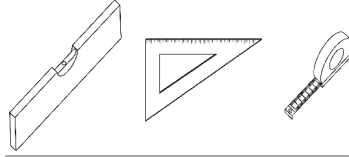
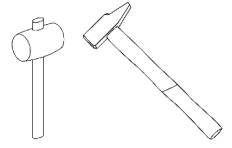
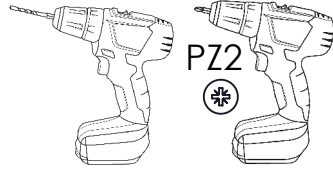
Vers.1

Abri JUNO

4 m²




forest-style
ENJOY YOUR GARDEN



?

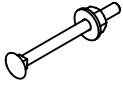


www.forest-style.com

Blister ref. S05161

V01

∅ 6x50mm (x4)



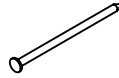
V03

∅ 4x40mm (x48)



V06

∅ 1.8x40mm (x80)



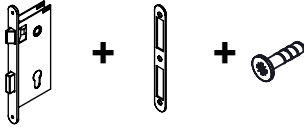
V07

∅ 1.8x18mm (x80)



V09

mortise lock (x1) + cover (x1) + ∅ 3,5x10mm (x5)



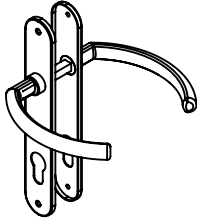
V10

cylinder lock (x1) + bolt (x1) + key (x3)



V08

Door handle (x1)



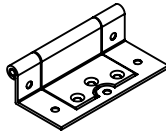
V05

∅ 3x20mm (x4)



V11

Metalic hinges (x3)



V17

∅ 3,5x35mm (x18)



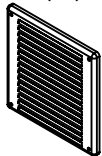
V18

∅ 3,5x16mm (x6)



V15

Vents (x2)



V15a

∅ 3x15mm (x8)



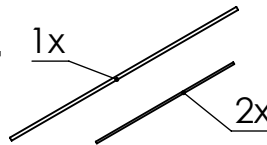
V13

Support muntin (x6)



V14

Muntin (x3)



V16

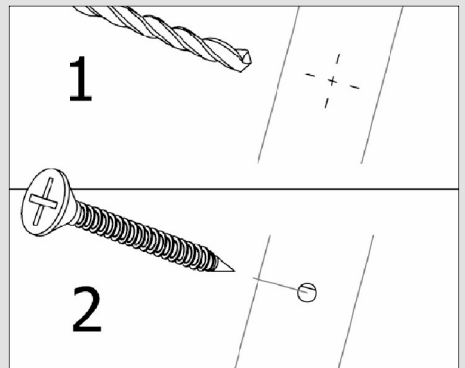
black

∅ 3,9x35mm (x6)

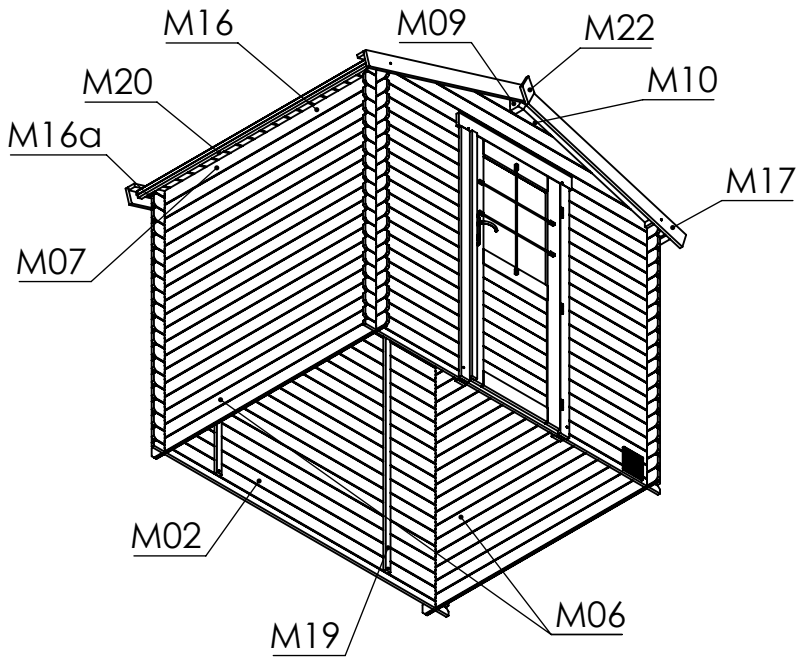
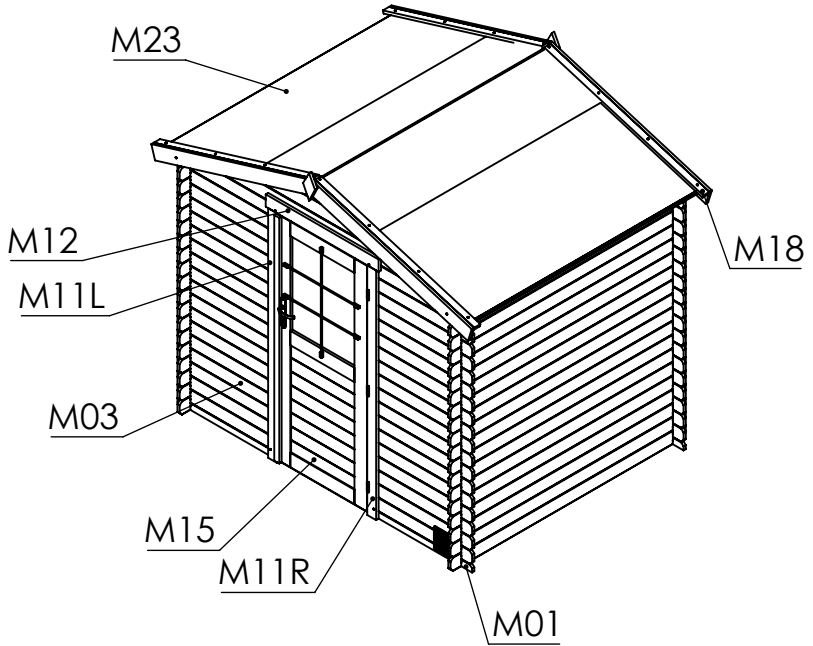


Pré-perçage / Pre-drilling / Vorböhrern / Perforacion previa

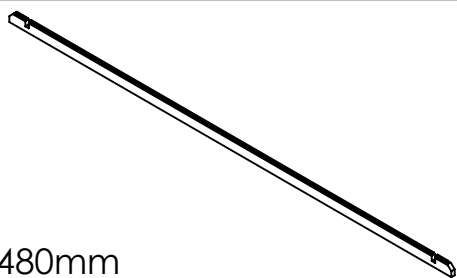
∅ Vis / ∅ Screw / ∅ schraube / ∅ Tornillo	∅ Percage / ∅ Drilling / ∅ Bohrung / ∅ Perforacion
∅ 3, ∅ 3,5 (V05 & V15a & V17 & V18)	∅ 2
∅ 4 (V03 & V16)	∅ 3
∅ 6 (V01)	∅ 6



Global view



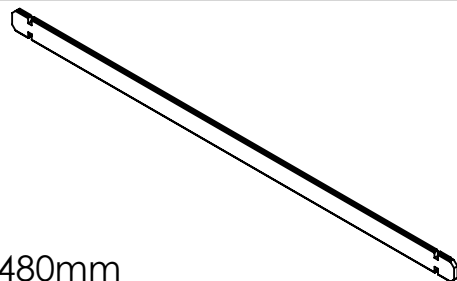
M01
S05122



x2

L=2480mm

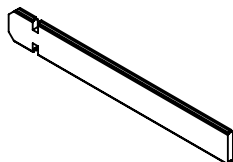
M02
S05124



x18

L=2480mm

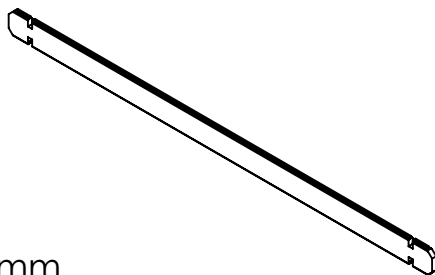
M03
S05125



x36

L=820mm

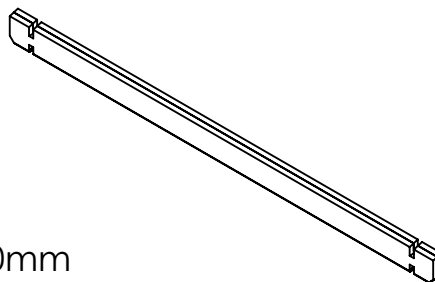
M06
S05141



x36

L=1980mm

M07
S05142

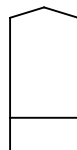
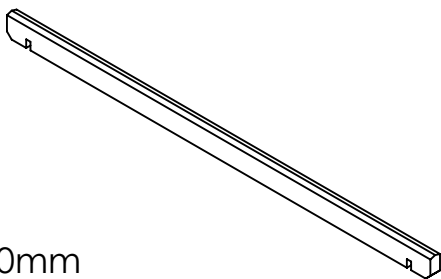


x2

L=1980mm

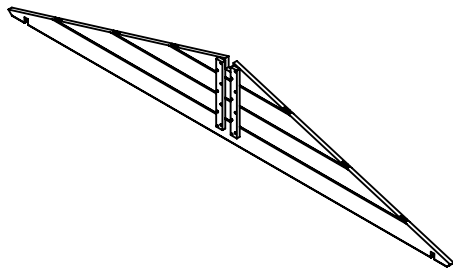
M09
S05143

L=1980mm



x1

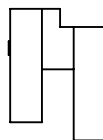
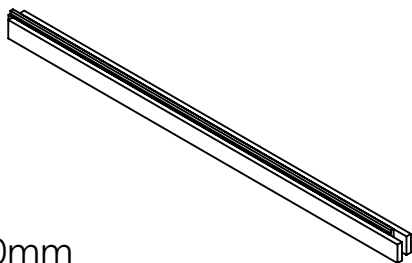
M10
S05127



x2

M11L
S05129

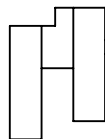
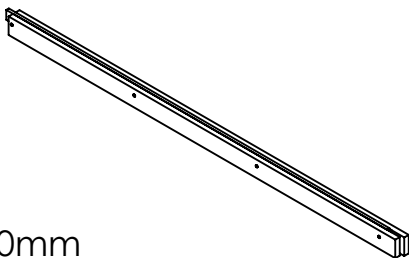
L=1840mm



x1

M11R
S05130

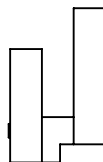
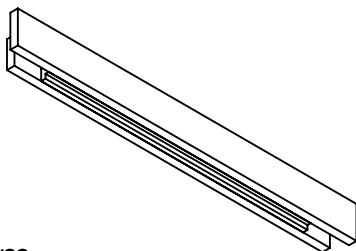
L=1840mm



x1

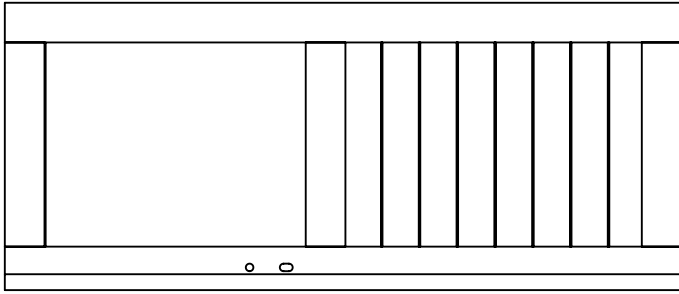
M12
S05131

L=950mm



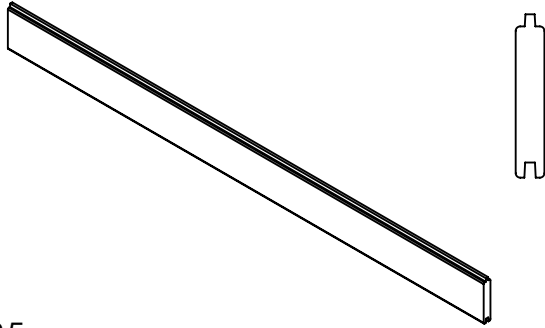
x1

M15
S05132



x1

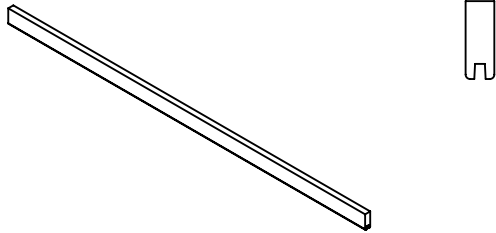
M16
S05133



L=1335mm

x38

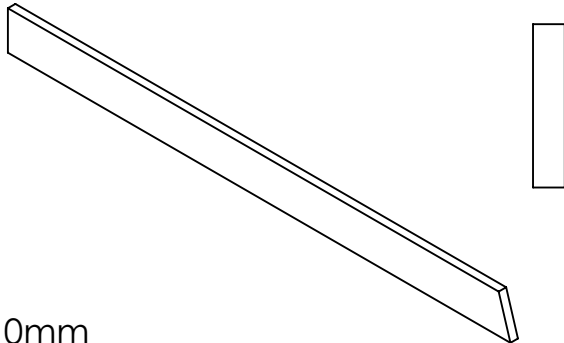
M16a
S05134



L=1335mm

x2

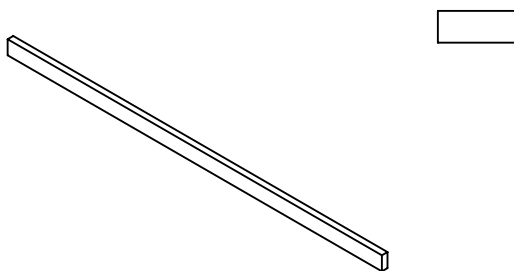
M17
S05135



L=1410mm

x4

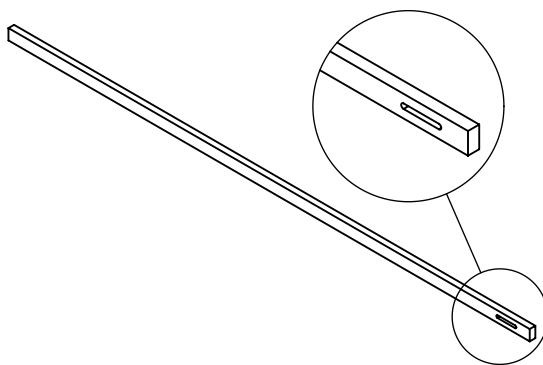
M18
S05136



L=1400mm

x4

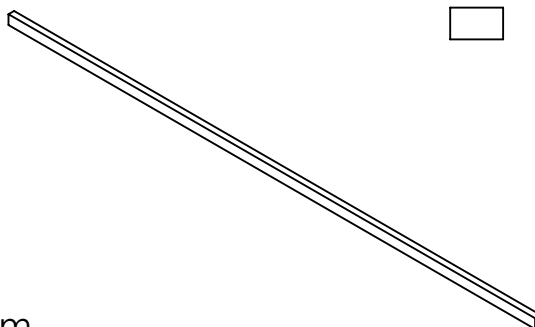
M19
S05137



L=1950mm

x4

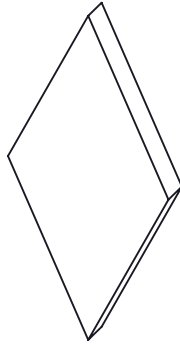
M20
S05144



L=1970mm

x2

M22
S05139



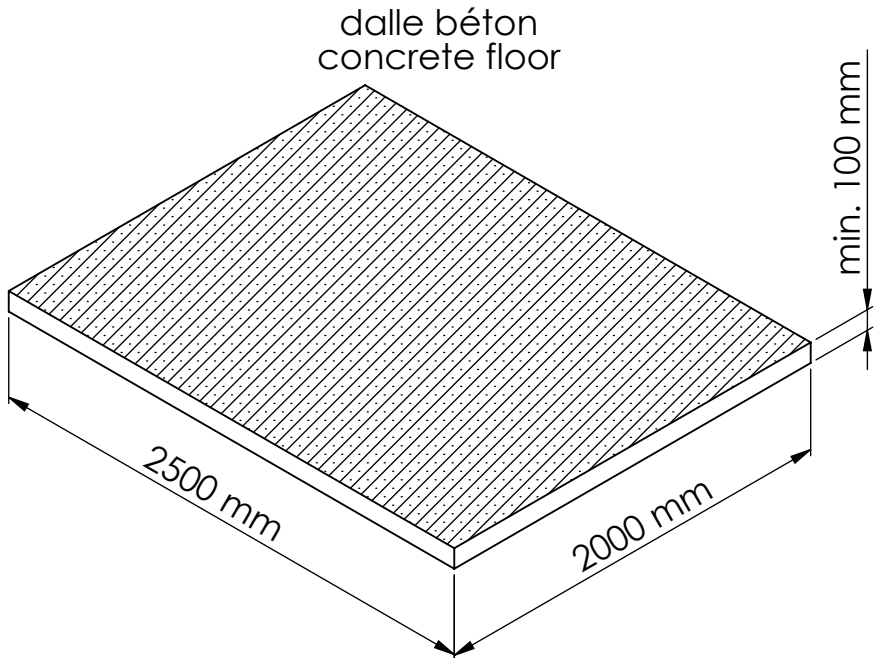
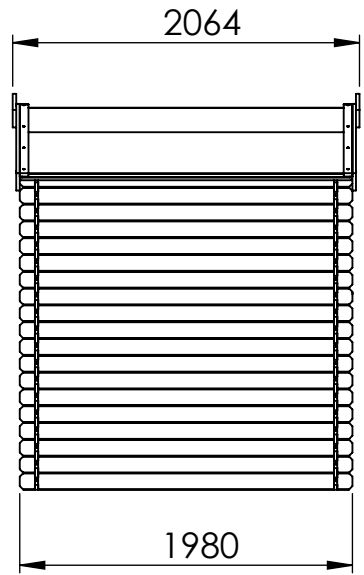
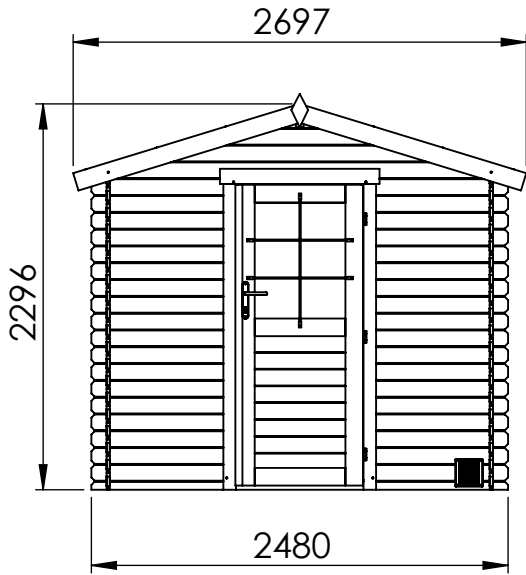
x2

M23
S05145

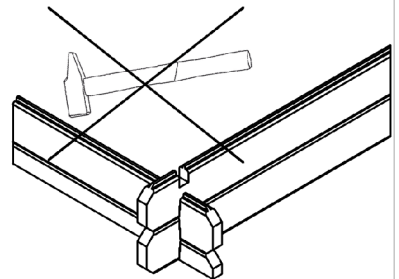
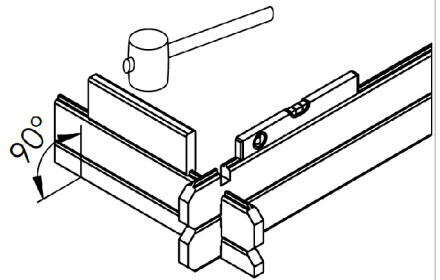
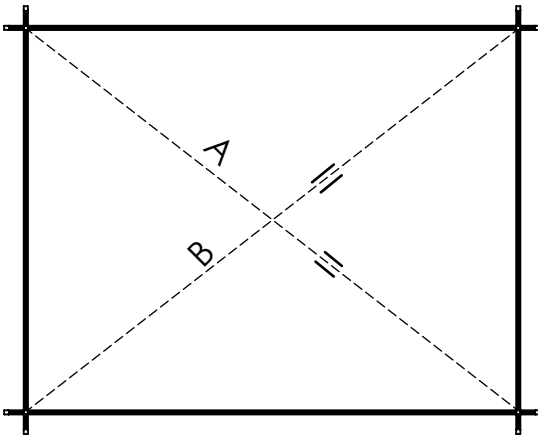
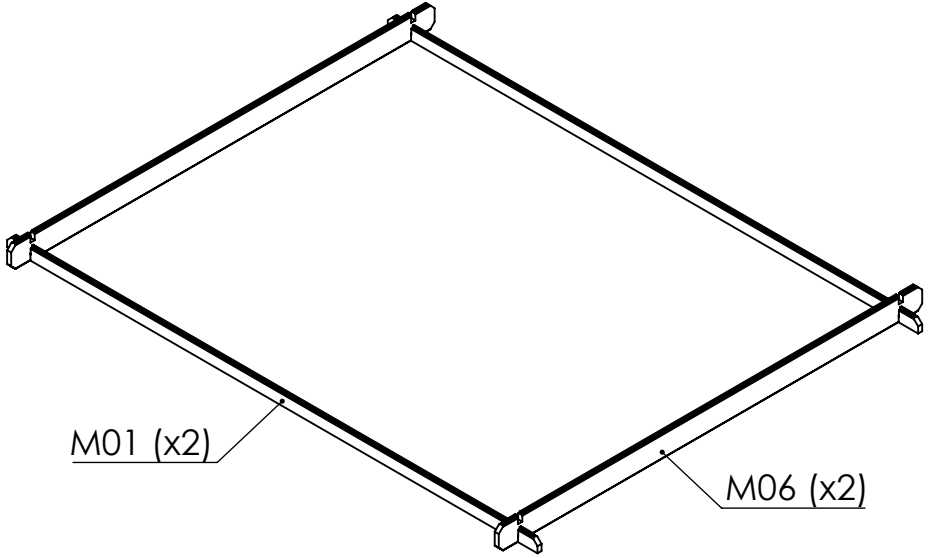


x1

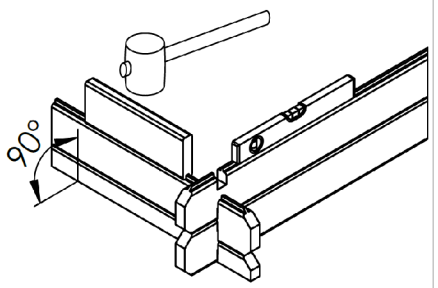
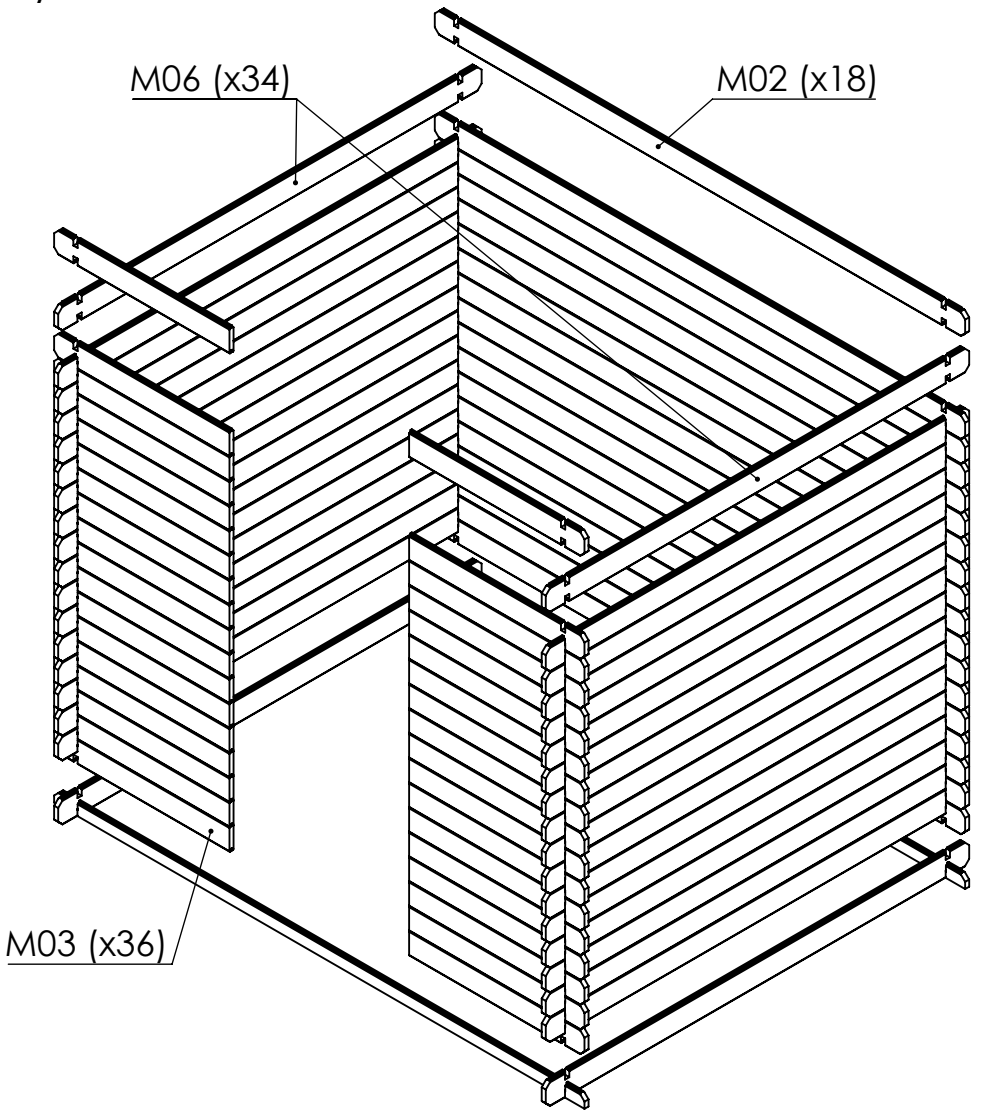
L=1,0 m x 6,5 m



1/16

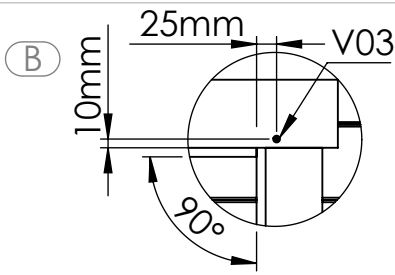


No.	Dimension	Qty
M01	2480x50x19	2
M06	1980x100x19	2

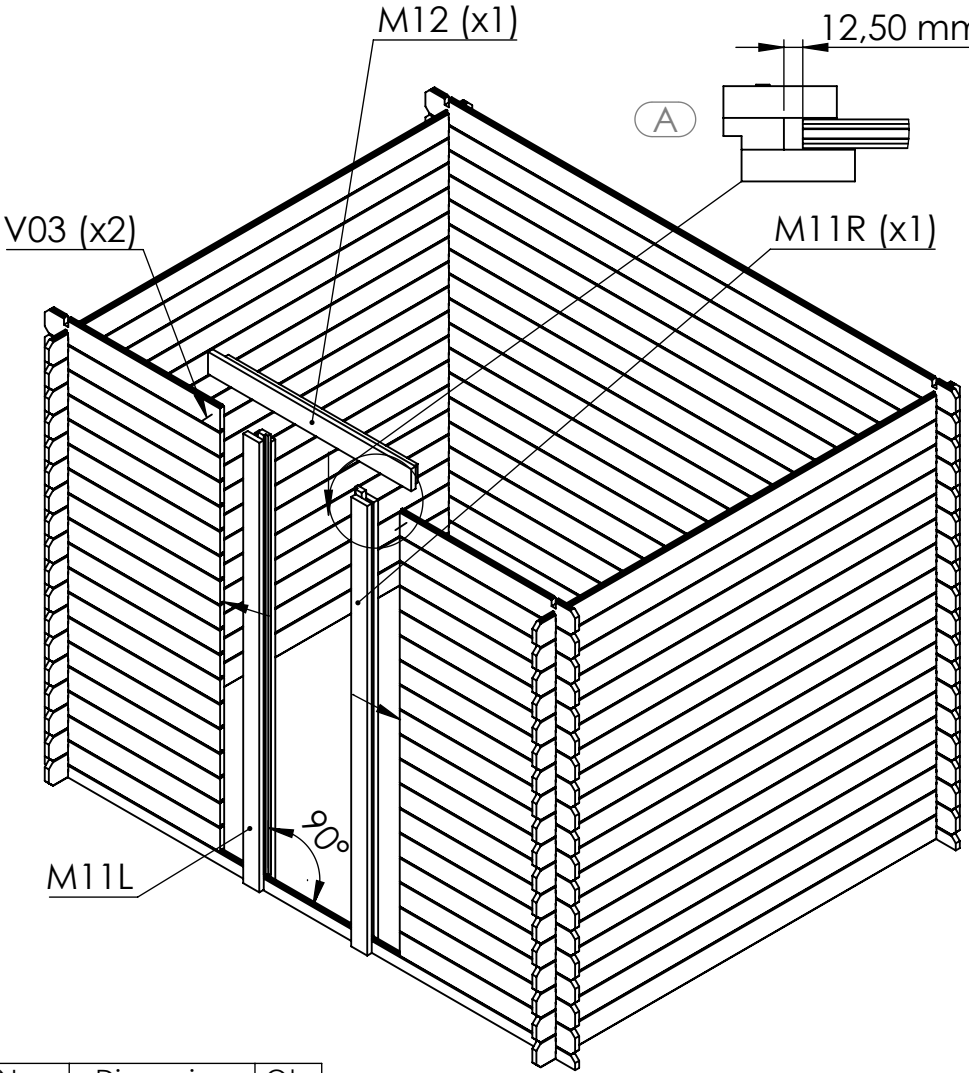
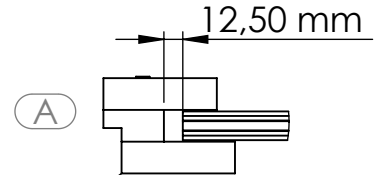


No.	Dimension	Qty
M02	2480x100x19	18
M03	820x100x19	36
M06	1980x100x19	34

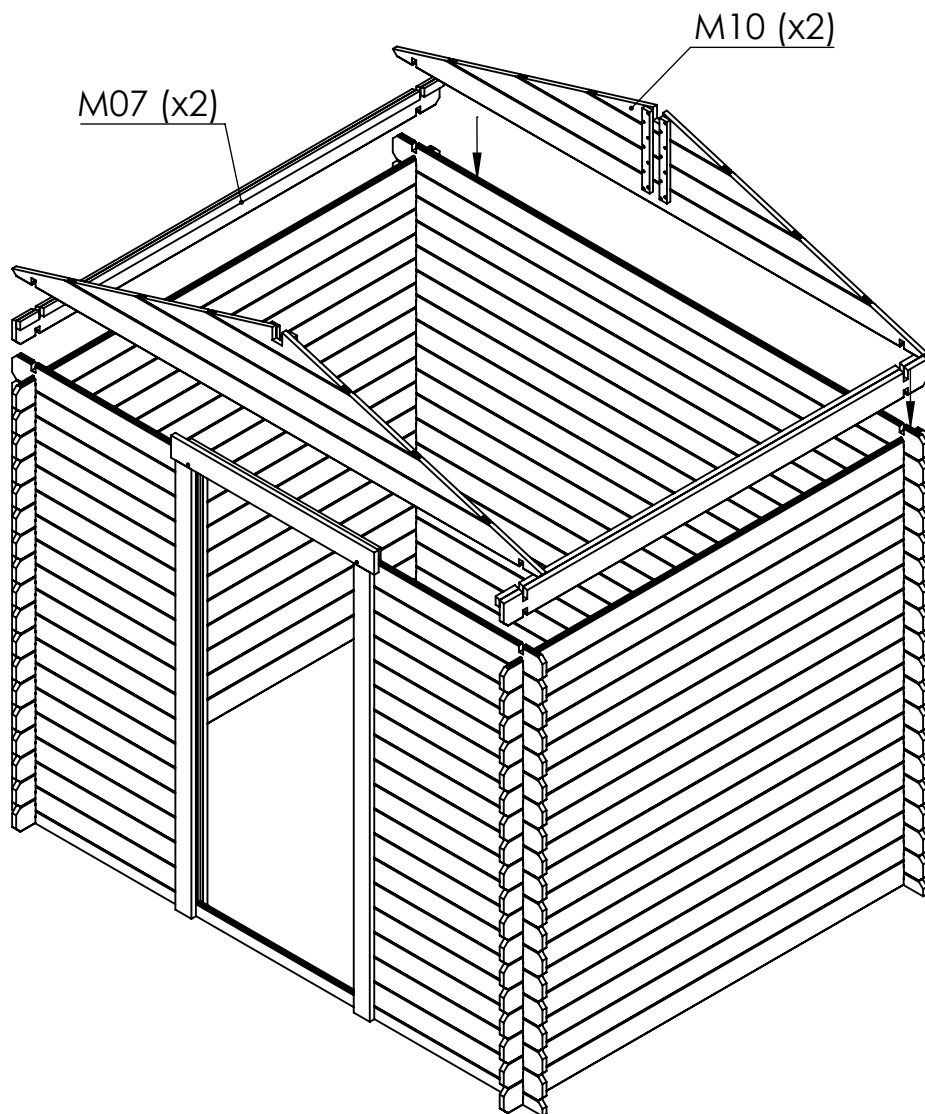
3/16



 $\varnothing 3 \text{ mm}$

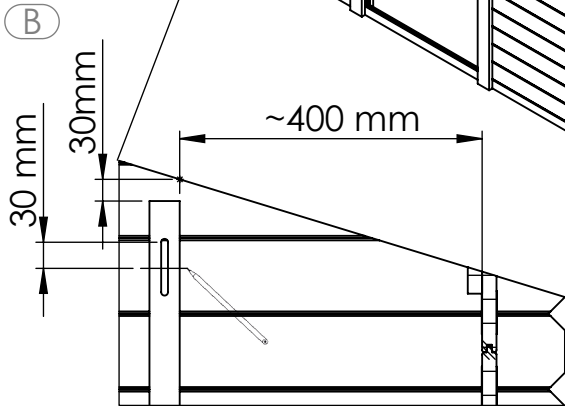
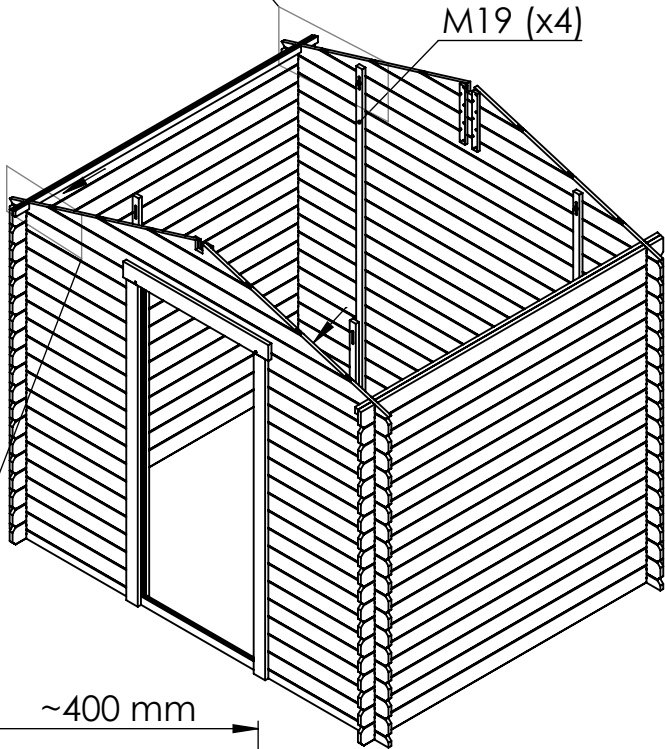
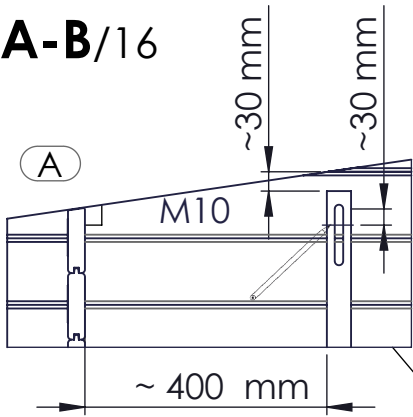


No.	Dimension	Qty
M11L	1840x87x63	1
M11R	1840x87x63	1
M12	950x102x62	1
V03	$\varnothing 4 \times 40 \text{ mm}$	2



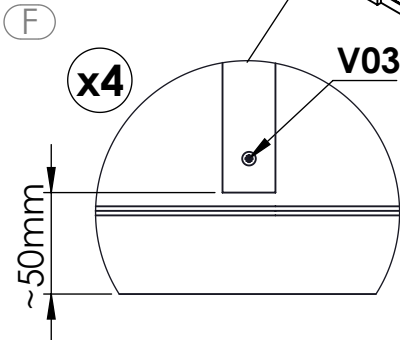
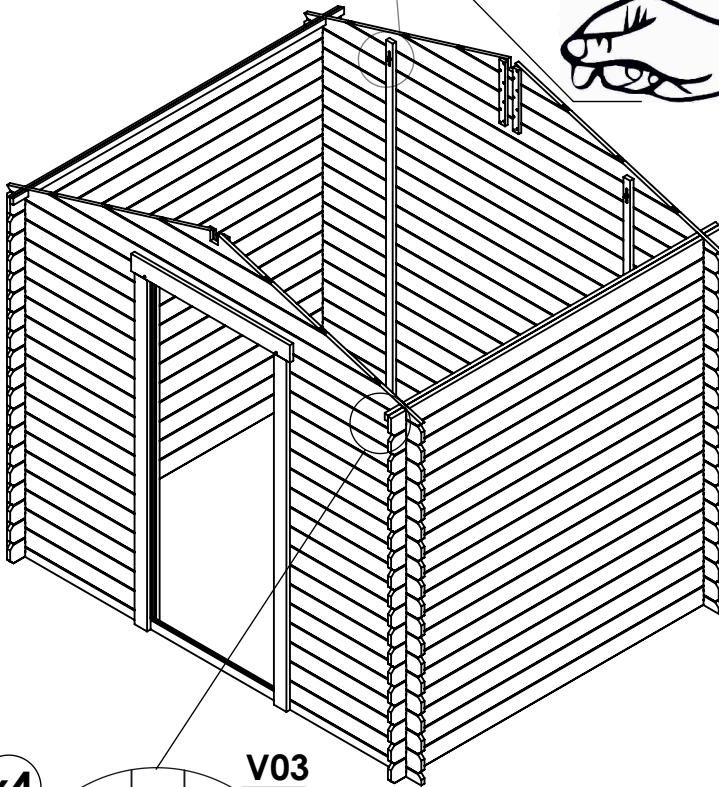
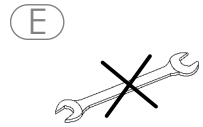
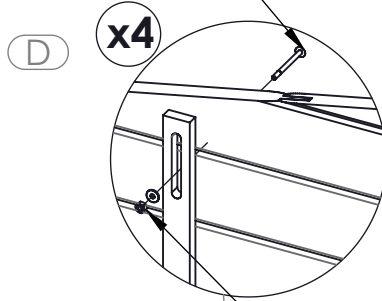
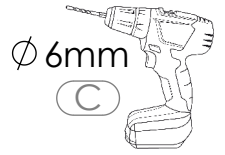
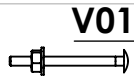
No.	Dimension	Qty
M10	2480x394x35	2
M07	1980x112,5x40	2

5A-B/16

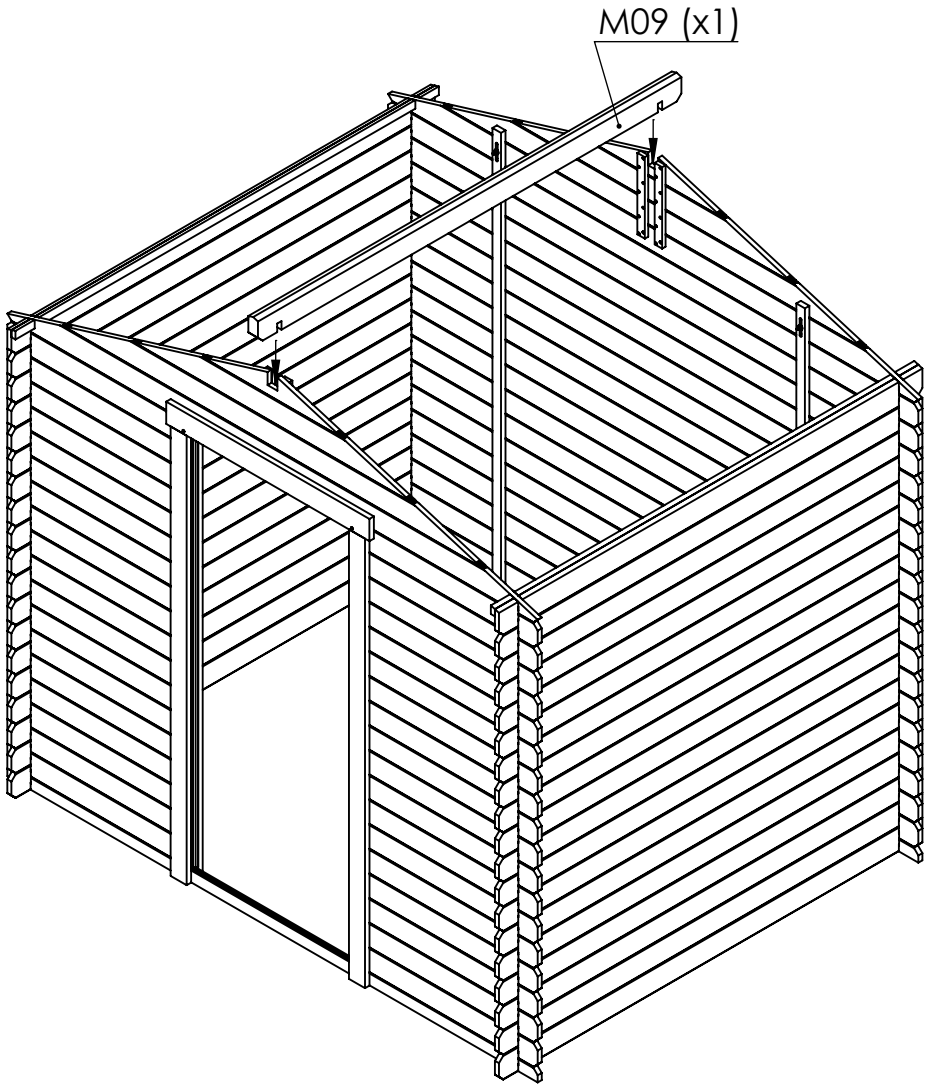


No.	Dimension	Qty
M19	1950x40x21	4
V01	∅ 6x50mm	4
V03	∅ 4x40mm	4

5C-F/16

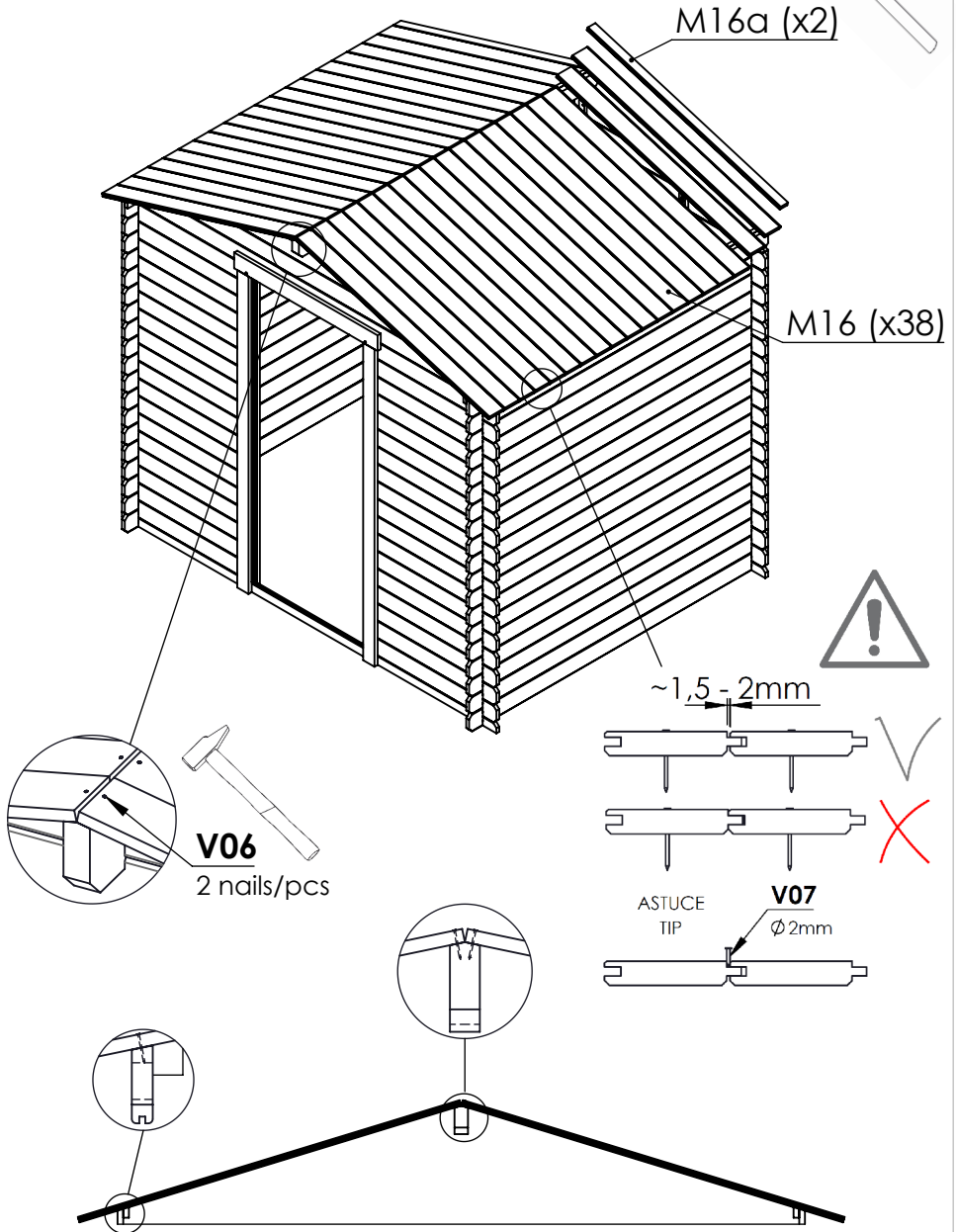
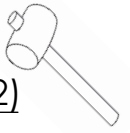


6/16



No.	Dimension	Qty
M09	1980x95x45	1

7/16



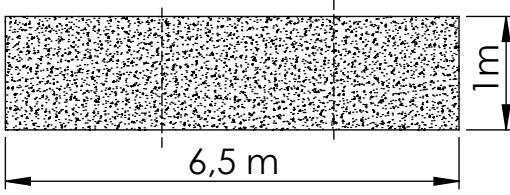
No.	Dimension	Qty
M16	1335x100x19	38
M16a	1335x51,5x19	2
V06	Ø 1.8x40mm	80

8/16

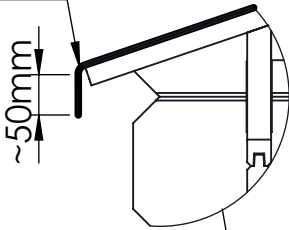


M23 => 3 x 1,98 m

(A)



M23



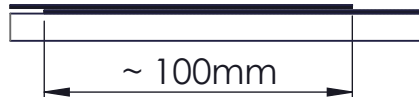
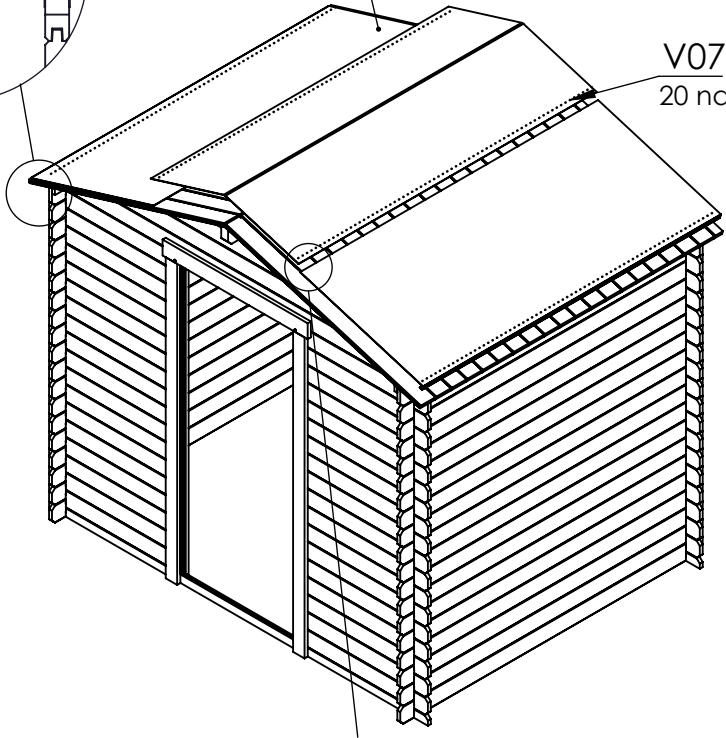
(B)

M23



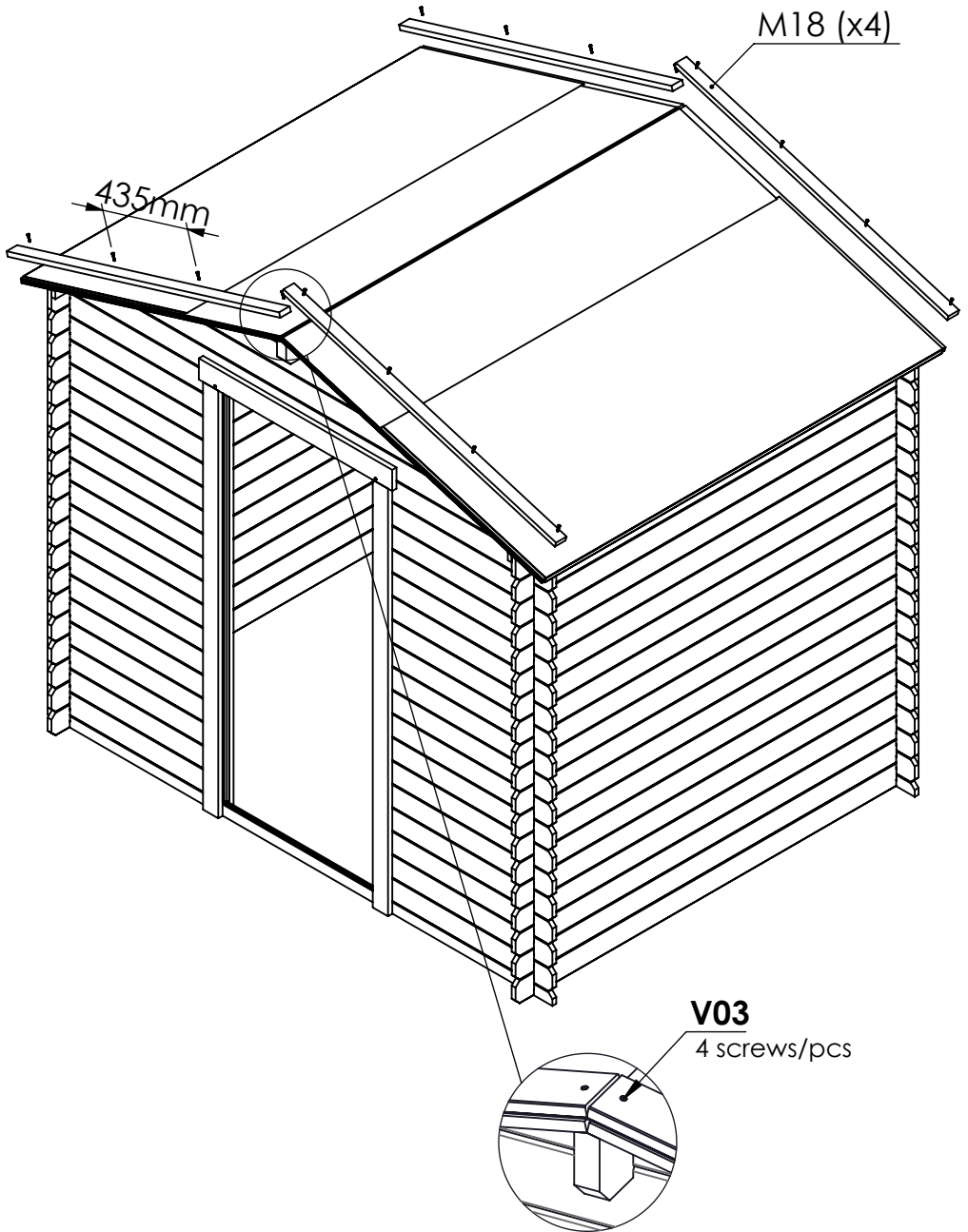
V07

20 nails (x4)



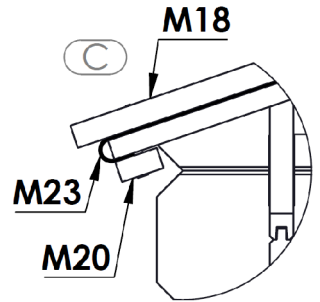
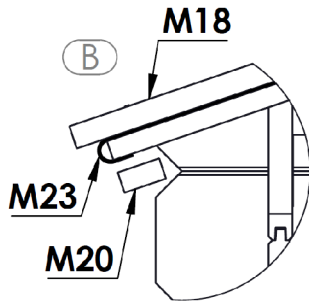
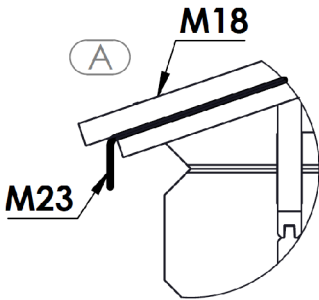
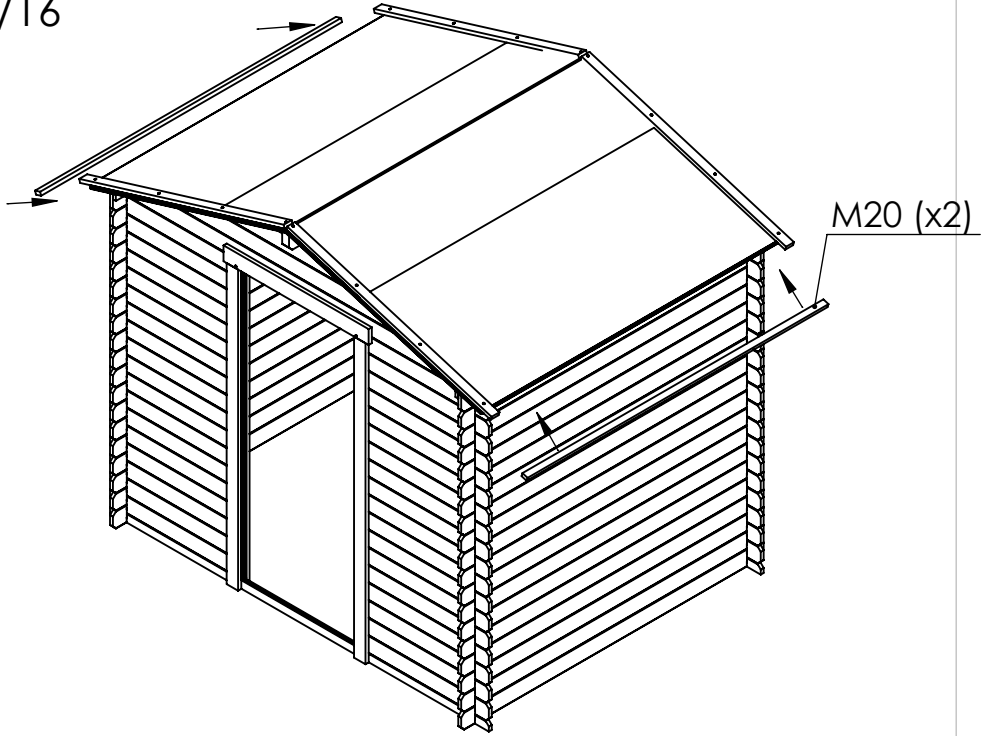
No.	Dimension	Qty
M23	6500x1000	1
V07	Ø 1,8x18mm	80

9/16

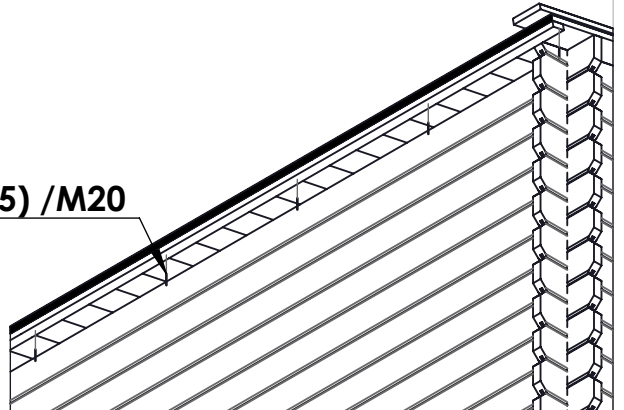


No.	Dimension	Qty
M18	1400x52x21	4
V03	∅ 4x40mm	16

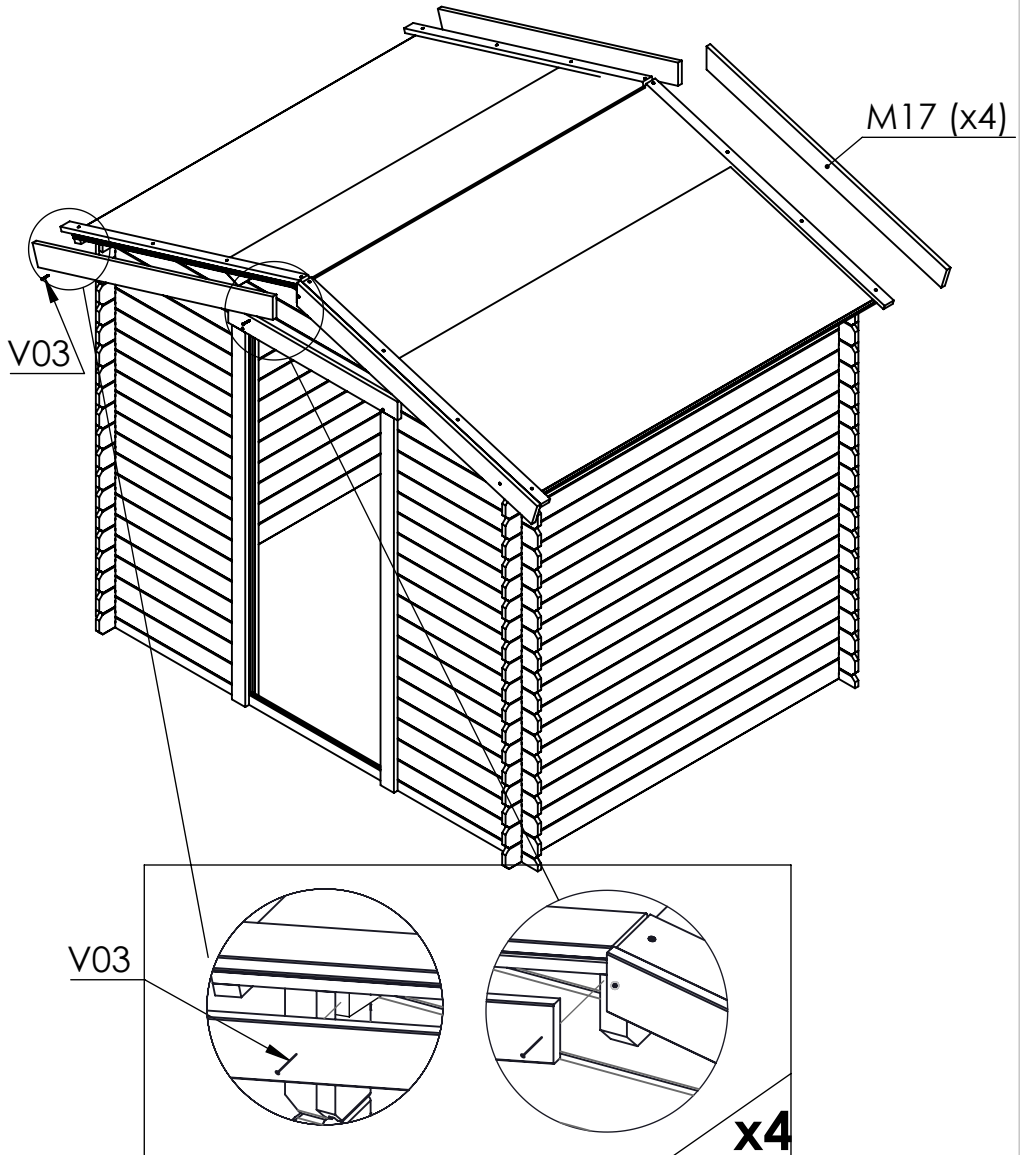
10/16



V03 (x5) / M20



No.	Dimension	Qty
M20	1970x35x21	2
V03	∅ 4x40mm	10

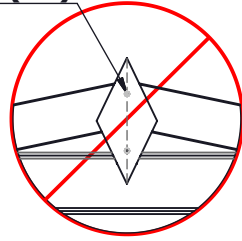
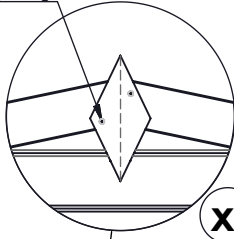


No.	Dimension	Qty
M17	1410x108x21	4
V03	∅ 4x40mm	8

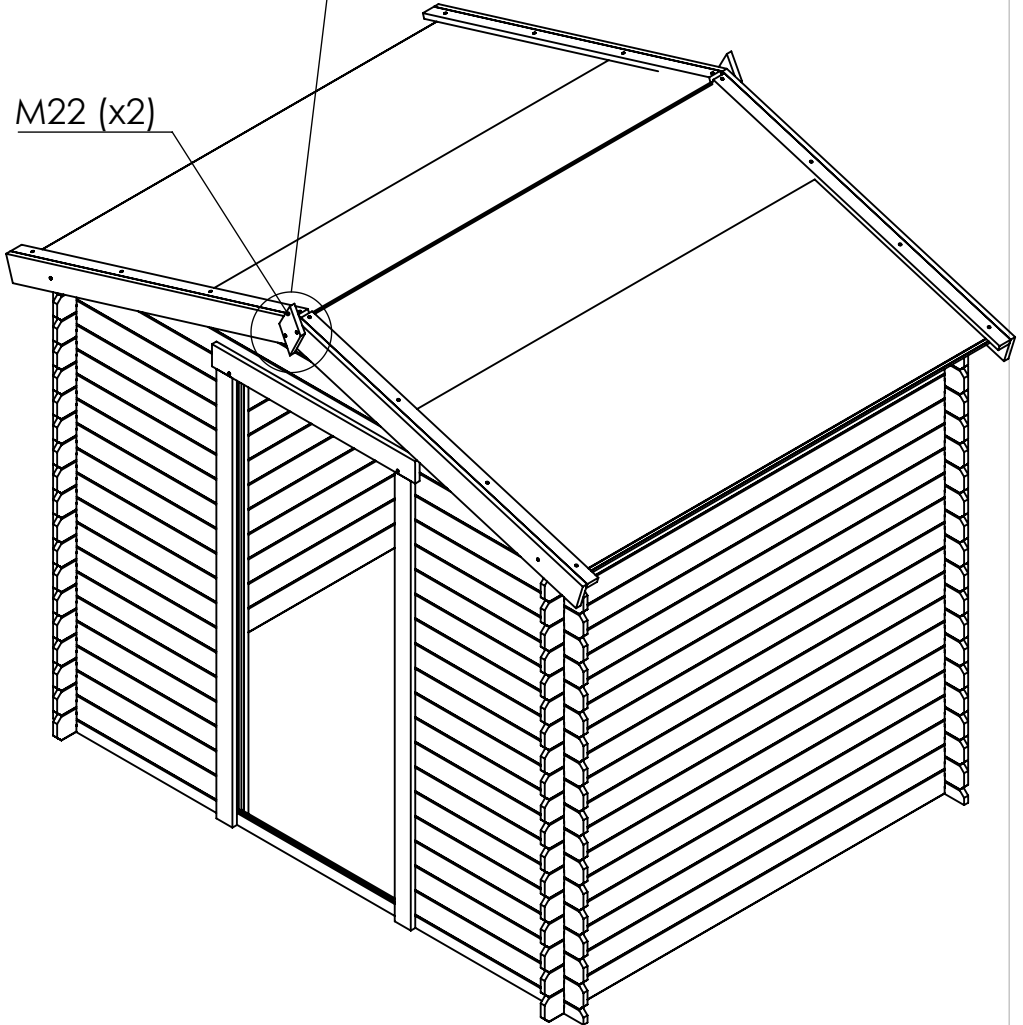
12/16

V03 (x2)

V03 (x2)



M22 (x2)



No.	Dimension	Qty
M22	200x100x21	2
V03	Ø 4x40mm	4

13A-C/16

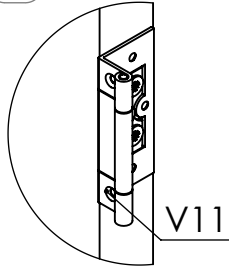
(A)



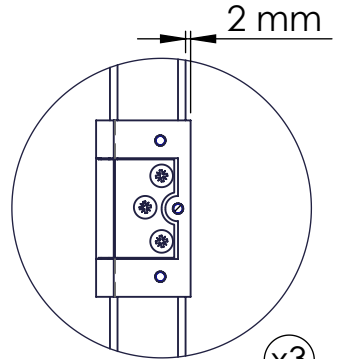
M15 (x1)

V17 (x3)/ V11

(B)



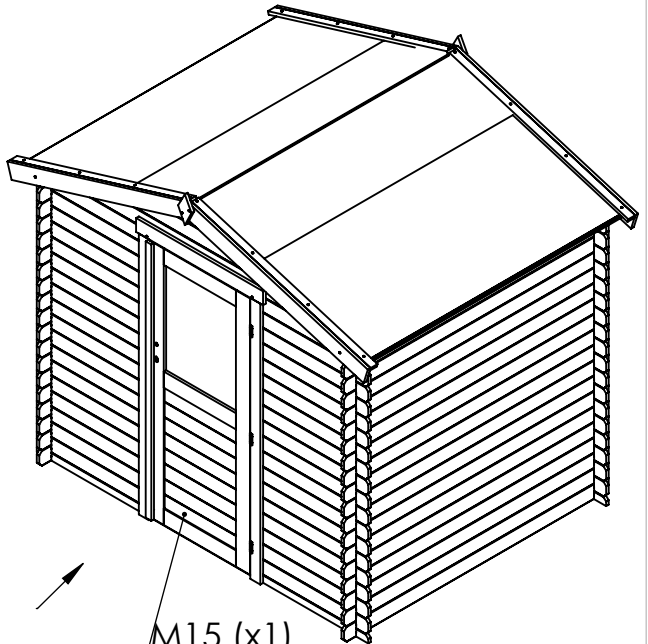
V11



2 mm

x3

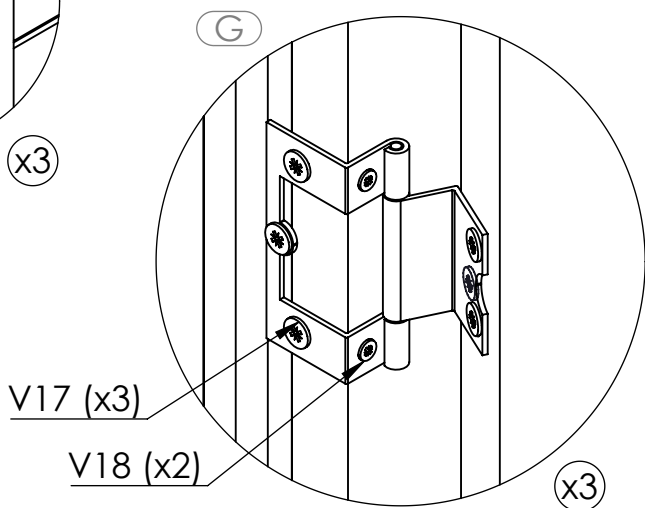
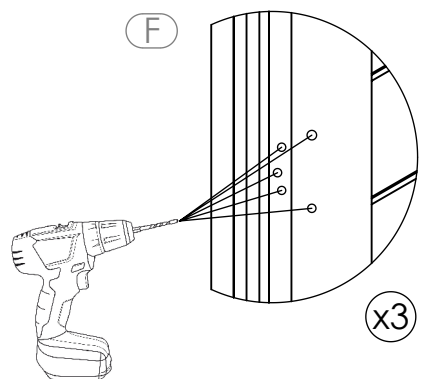
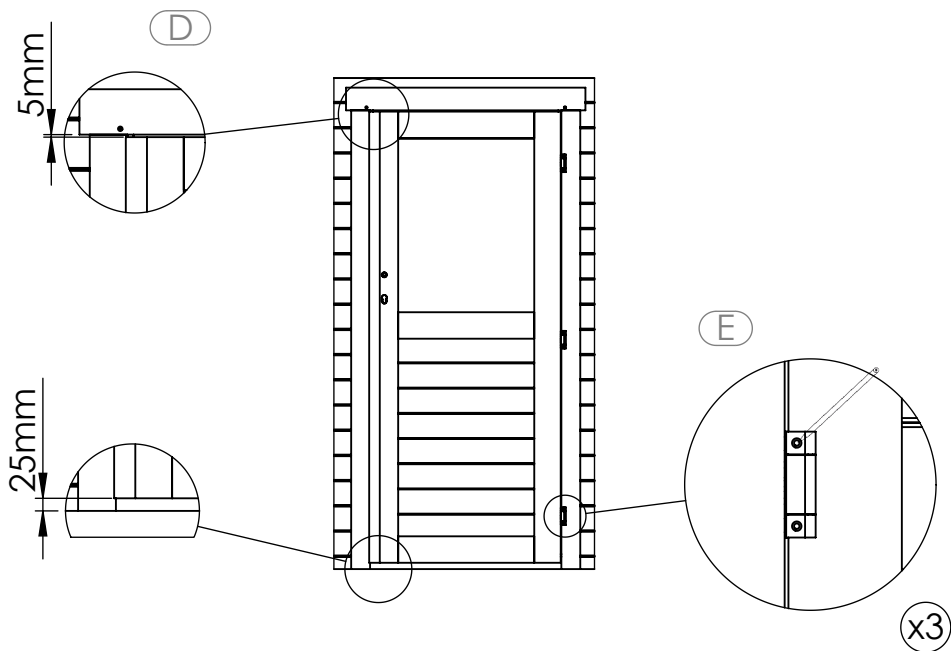
(C)



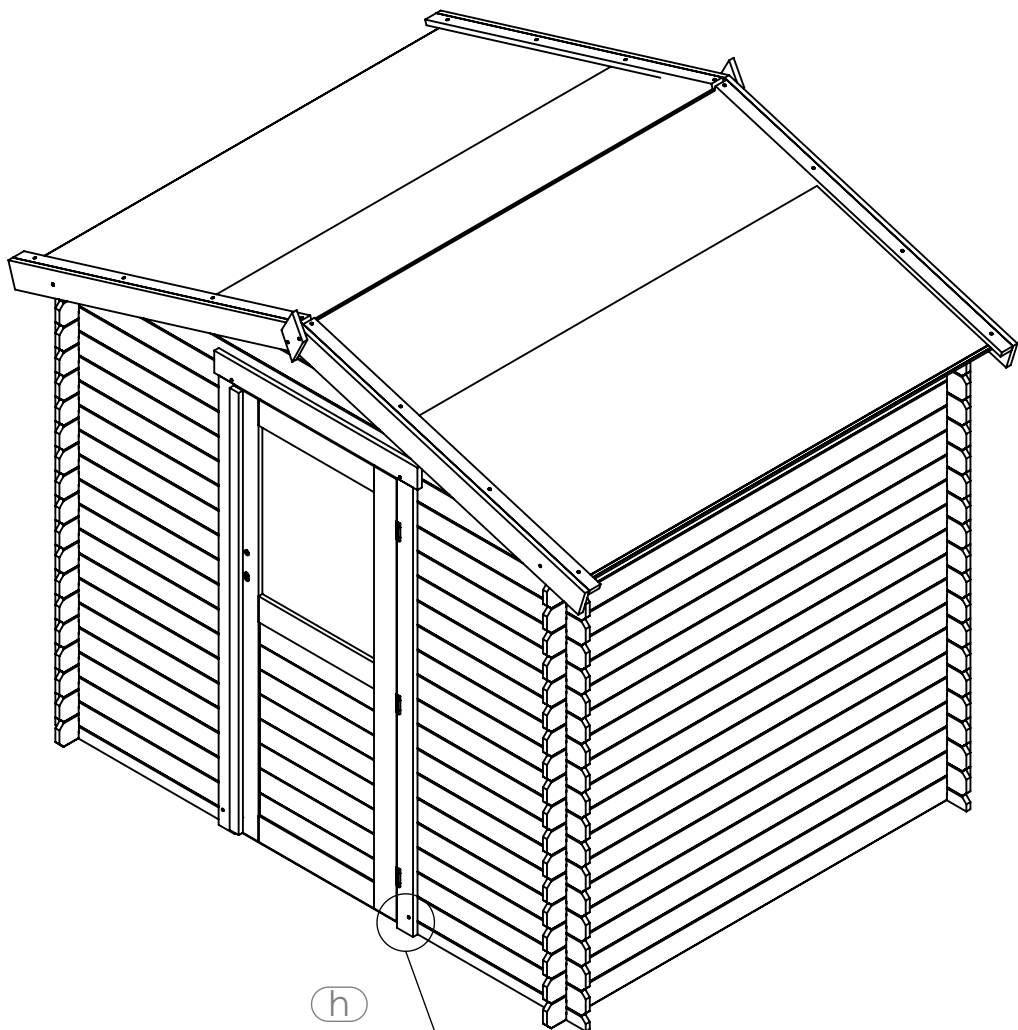
M15 (x1)

No.	Dimension	Qty
M15	1790x760x30	1
V03	∅ 4x40mm	2
V11	hinges	3
V17	∅ 3,5x35mm	18
V18	∅ 3,5x16mm	6

13D-G/16

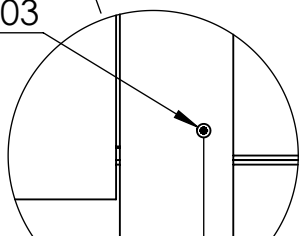


13h/16



h

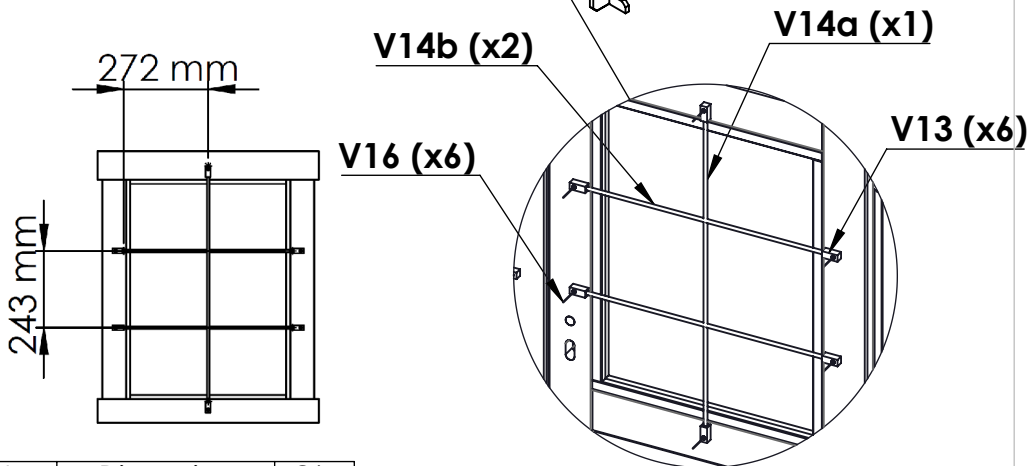
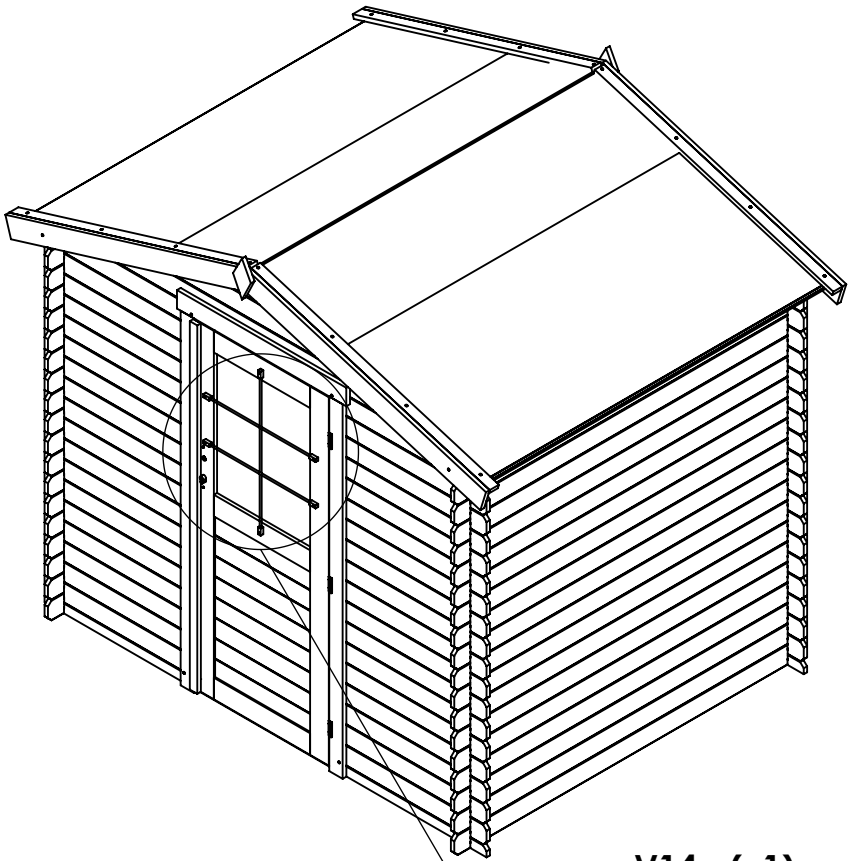
V03



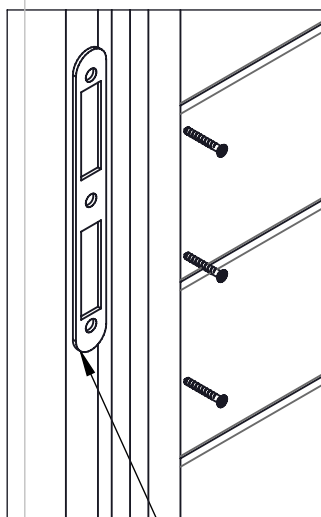
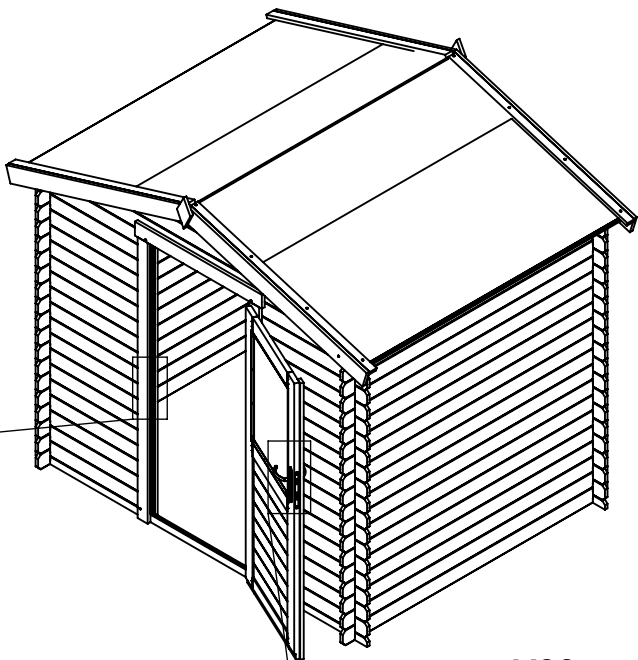
x2

20 mm

14/16



No.	Dimension	Qty
V16	Ø3,9x35mm black	6
V13	Support muntin	6
V14a	Muntin 757mm	1
V14b	Muntin 588mm	2

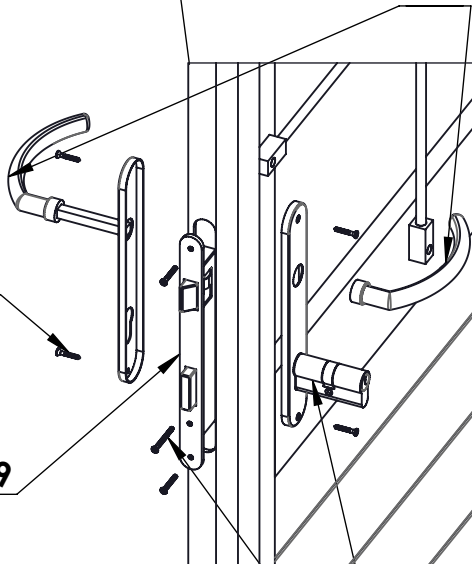


V09

V05 (x4)

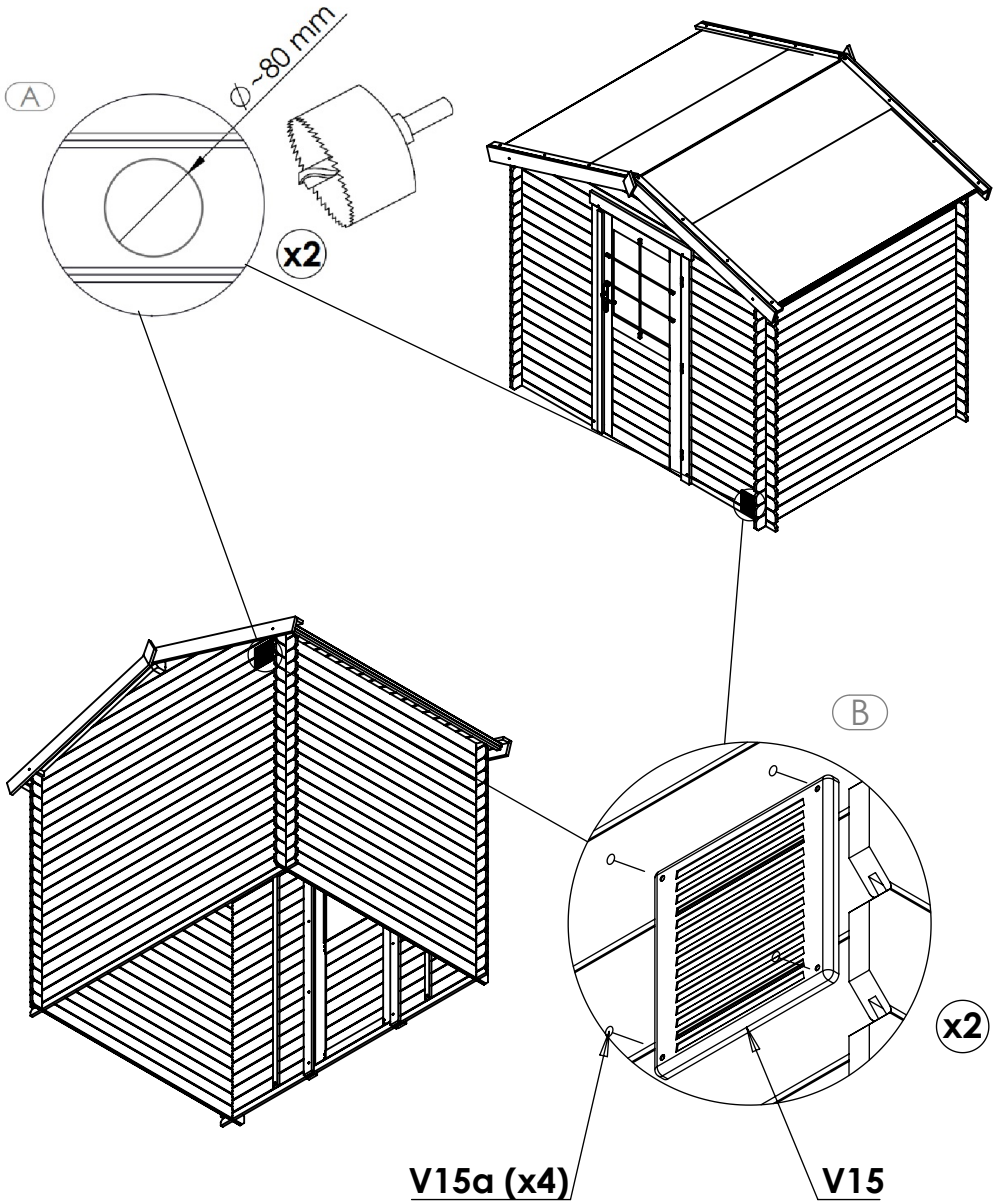
V09

V08

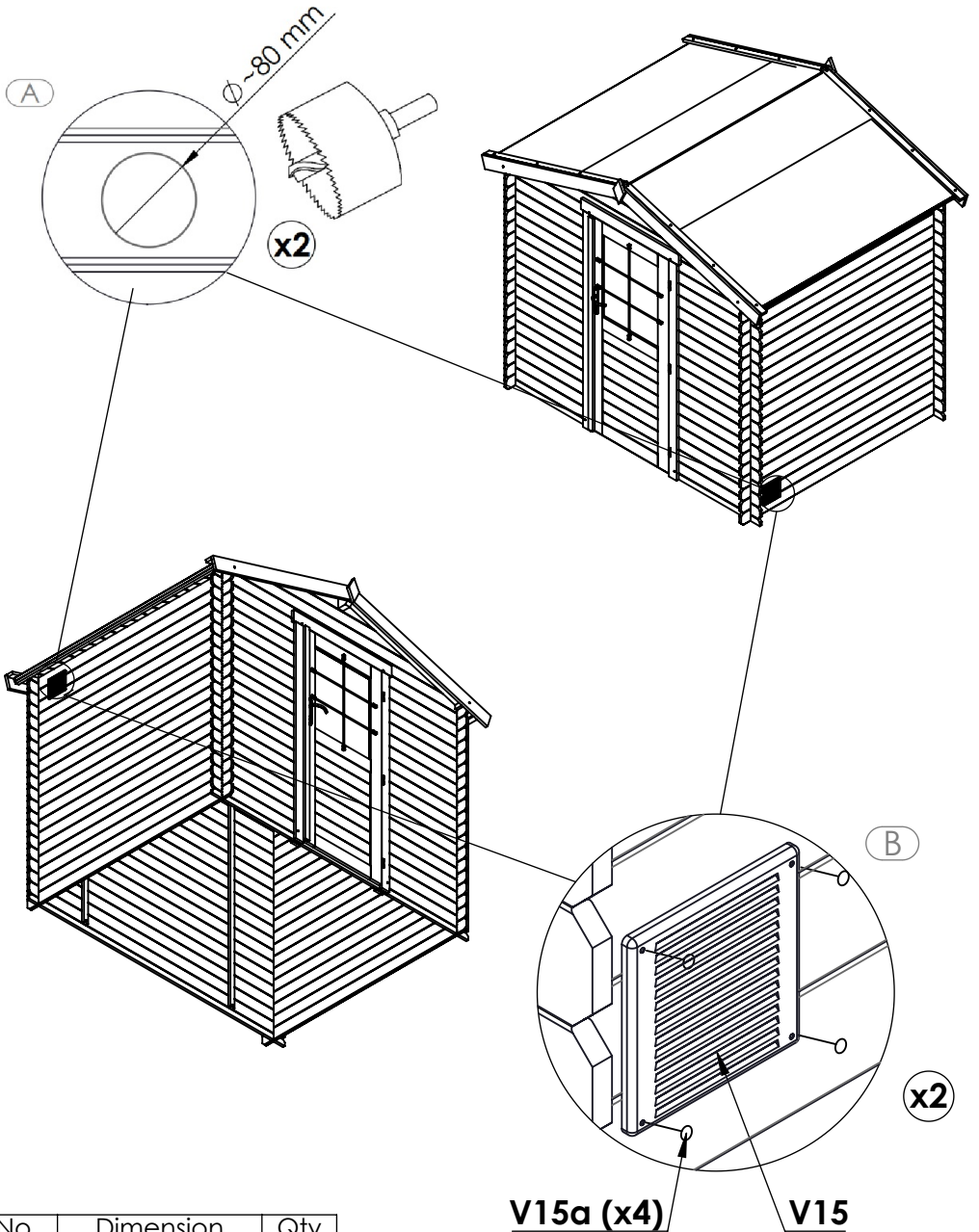


V10

No.	Dimension	Qty
V05	Ø 3x20mm	4
V08	door handle	1
V09	mortise lock + cover + Ø 3,5x10mm	1
V10	cylinder lock + bolt+keys	1



No.	Dimension	Qty
V15	165x165mm	2
V15a	$\phi 3 \times 15 \text{ mm}$	8



No.	Dimension	Qty
V15	165x165mm	2
V15a	ϕ 3x15mm	8

forest-style

ENJOY YOUR GARDEN

